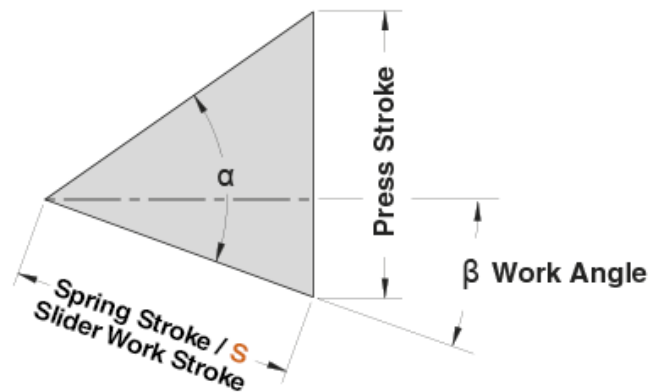
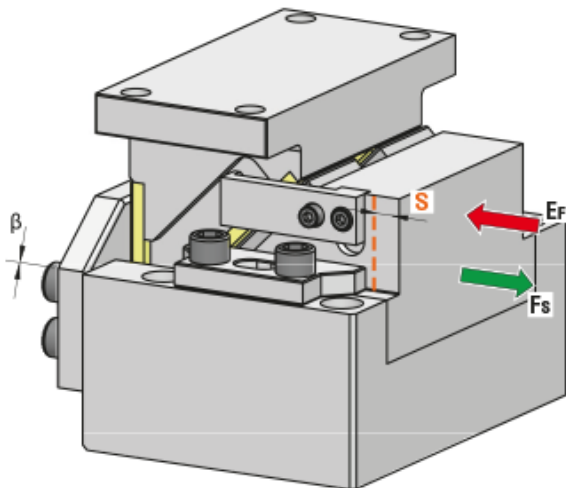


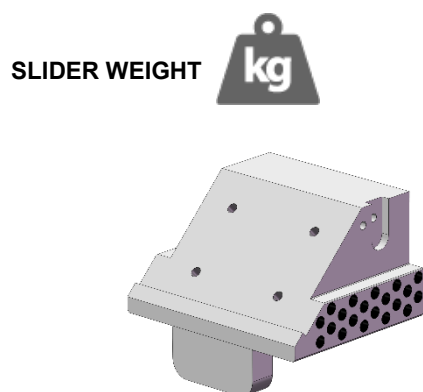
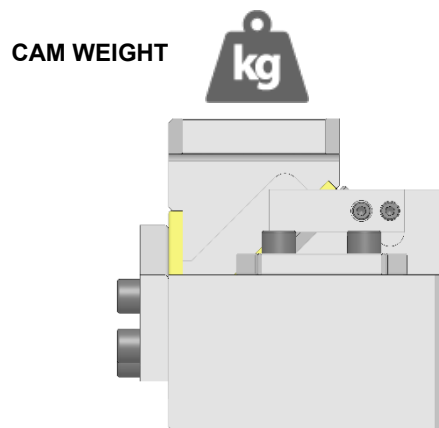


1. CAM DIAGRAM



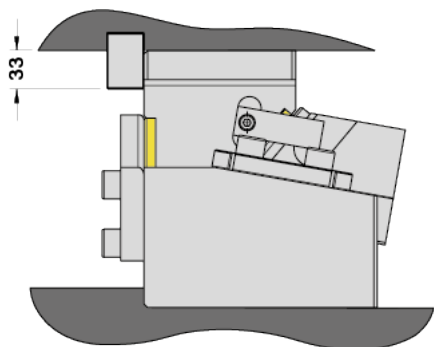
OMCR CODE	Work Angle β	Slider Work Stroke S (mm)	Press Stroke (mm)	Spring Stroke (mm)	$\alpha - \beta$	α
DHC150.00.40	0°	40	40	40	45°	45°
DHC150.00.60	0°	60	60	60	45°	45°
DHC150.05.45	5°	45	67,94	45	55°	60°
DHC150.05.70	5°	70	105,69	70	55°	60°
DHC150.10.45	10°	45	60,63	45	50°	60°
DHC150.10.70	10°	70	94,31	70	50°	60°
DHC150.15.45	15°	45	55,11	45	45°	60°
DHC150.15.70	15°	70	85,73	70	45°	60°
DHC150.20.45	20°	45	50,87	45	40°	60°
DHC150.20.70	20°	70	79,14	70	40°	60°

2. CAM WEIGHT INFORMATIONS

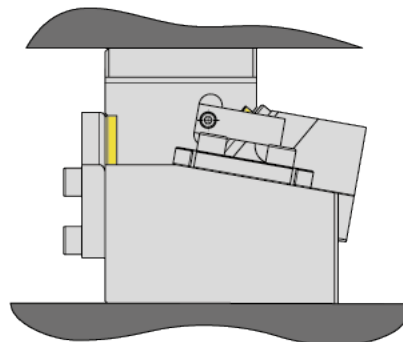


OMCR CODE	CAM WEIGHT [kg]	SLIDER WEIGHT [kg]
DHC150.00.40	54.458	11.978
DHC150.00.60	58.737	12.036
DHC150.05.45	53.753	12.301
DHC150.05.70	60.416	12.017
DHC150.10.45	53.949	12.619
DHC150.10.70	59.092	12.474
DHC150.15.45	55.081	12.515
DHC150.15.70	63.680	12.747
DHC150.20.45	54.987	12.639
DHC150.20.70	62.245	12.670

3. CAM MOUNTING INFORMATIONS



Assembly with shoulder
Max performances.



Assembly without shoulder
Compact installation.



4. WORK FORCE DISTRIBUTION (kN) FOR 1 MILLION CYCLES

The following diagrams illustrate the maximum possible ranges of applicable forces in several portions of the work area but always working in the exact direction of slider work stroke. If several forces are applied simultaneously on the work area, their common center has to be specified and compared with the tabular infos. The sum of all forces has to be lower than the corresponding tabular value.

F_s

Max Work Force with shoulder on Cam Driver

F

Max Work Force without shoulder

Assembly with shoulder

		WIDTH		
		50	50	50
HEIGHT	33	62	67	62
	34	66	120	66
	33	58	115	58

Assembly without shoulder

		WIDTH		
		50	50	50
HEIGHT	33	31	34	31
	34	33	60	33
	33	29	58	29

		WIDTH		
		50	50	50
HEIGHT	33	62	71	62
	34	66	127	66
	33	58	122	58

		WIDTH		
		50	50	50
HEIGHT	33	31	36	31
	34	33	64	33
	33	29	61	29